
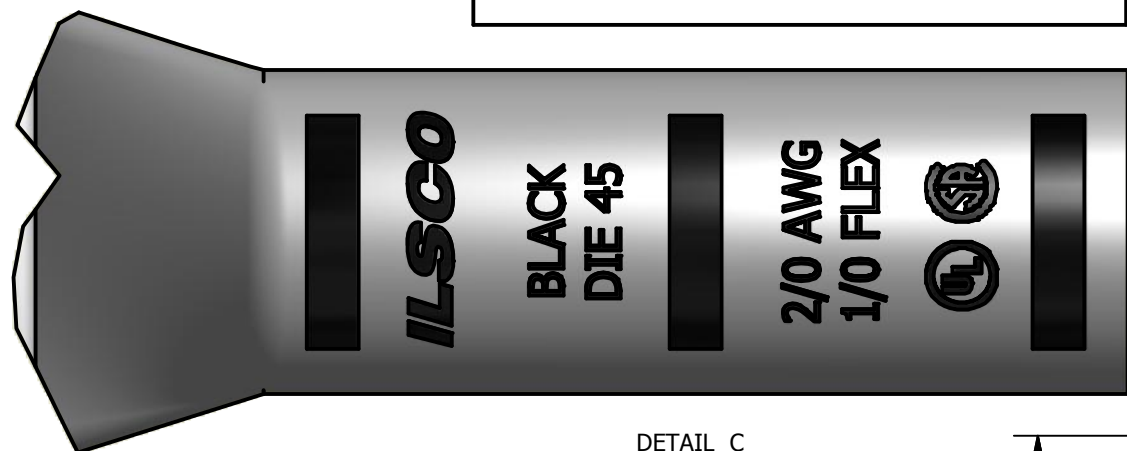
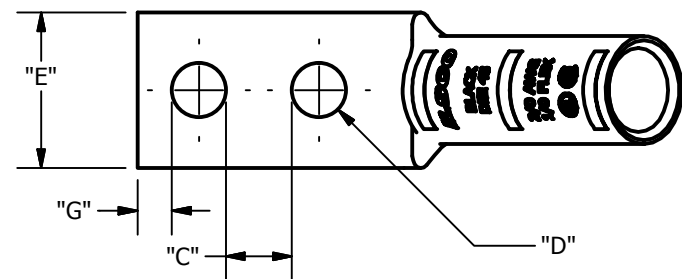
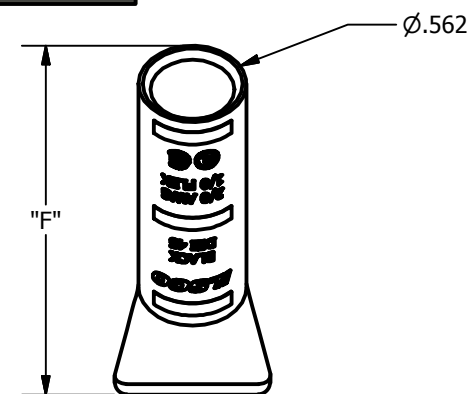
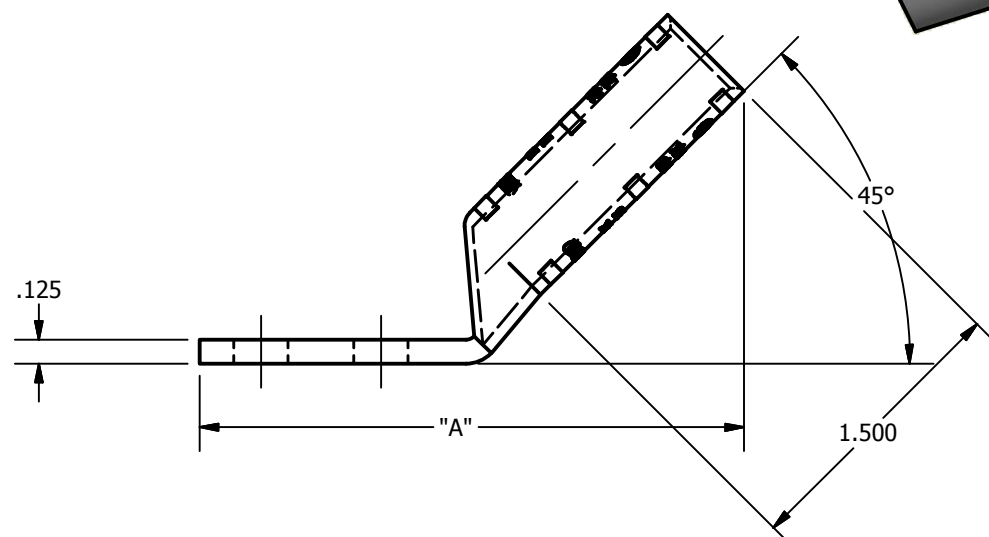


SCREW: NONE	MATERIAL: COPPER	REV: C	 800-776-9775 www.ilSCO.com	
CAT. NO.: SEE CHART	PLATING: EL-TIN	DRAWN BY: DW		SCALE: NTS
INFORMATION SHEET: FORM 157	MARKING: SEE CHART	DATE: 6/3/2008		SIZE: B
			DWG NO: Y0803-D-4	
			SHEET: 1 OF 1	



DETAIL C
INK MARK TOP & BOTTOM



CATALOG NUMBER	"A"	"C"	"D"	"E"	"F"	"G"	TANG MARKING
CLNB-2/0-10-12-4	2.731	0.281	0.219	0.811	1.831	0.148	UL, ILSCO, CSA, CLNB-2/0-10-12-4, 10 x 1/2, 2/0 AWG, 1/0 FLEX, DIE 45
CLNB-2/0-10-58-4	2.731	0.406	0.219	0.811	1.831	0.148	UL, ILSCO, CSA, CLNB-2/0-10-58-4, 10 x 5/8, 2/0 AWG, 1/0 FLEX, DIE 45
CLNB-2/0-10-1116-4	2.731	0.468	0.219	0.811	1.831	0.148	UL, ILSCO, CSA, CLNB-2/0-10-1116-4, 10 x 11/16, 2/0 AWG, 1/0 FLEX, DIE 45
CLNB-2/0-10-34-4	2.918	0.531	0.219	0.811	1.831	0.148	UL, ILSCO, CSA, CLNB-2/0-10-34-4, 10 x 3/4, 2/0 AWG, 1/0 FLEX, DIE 45
CLNB-2/0-10-1-4	3.168	0.781	0.219	0.811	1.831	0.148	UL, ILSCO, CSA, CLNB-2/0-10-1-4, 10 x 1, 2/0 AWG, 1/0 FLEX, DIE 45
CLNB-2/0-14-12-4	2.731	0.219	0.281	0.811	1.831	0.180	UL, ILSCO, CSA, CLNB-2/0-14-12-4, 1/4 x 1/2, 2/0 AWG, 1/0 FLEX, DIE 45
CLNB-2/0-14-58-4	2.918	0.344	0.281	0.811	1.831	0.180	UL, ILSCO, CSA, CLNB-2/0-14-58-4, 1/4 x 5/8, 2/0 AWG, 1/0 FLEX, DIE 45
CLNB-2/0-14-34-4	2.918	0.469	0.281	0.811	1.831	0.180	UL, ILSCO, CSA, CLNB-2/0-14-34-4, 1/4 x 3/4, 2/0 AWG, 1/0 FLEX, DIE 45
CLNB-2/0-14-1-4	3.168	0.719	0.281	0.811	1.831	0.180	UL, ILSCO, CSA, CLNB-2/0-14-1-4, 1/4 x 1, 2/0 AWG, 1/0 FLEX, DIE 45
CLNB-2/0-516-58-4	2.918	0.282	0.343	0.811	1.831	0.180	UL, ILSCO, CSA, CLNB-2/0-516-58-4, 5/16 x 5/8, 2/0 AWG, 1/0 FLEX, DIE 45
CLNB-2/0-516-34-4	3.168	0.407	0.343	0.811	1.831	0.180	UL, ILSCO, CSA, CLNB-2/0-516-34-4, 5/16 x 3/4, 2/0 AWG, 1/0 FLEX, DIE 45
CLNB-2/0-516-78-4	3.168	0.532	0.343	0.811	1.831	0.180	UL, ILSCO, CSA, CLNB-2/0-516-78-4, 5/16 x 7/8, 2/0 AWG, 1/0 FLEX, DIE 45
CLNB-2/0-516-1-4	3.418	0.657	0.343	0.811	1.831	0.180	UL, ILSCO, CSA, CLNB-2/0-516-1-4, 5/16 x 1, 2/0 AWG, 1/0 FLEX, DIE 45
CLNB-2/0-516-134-4	3.981	1.407	0.343	0.811	1.831	0.180	UL, ILSCO, CSA, CLNB-2/0-516-134-4, 5/16 x 1-3/4, 2/0 AWG, 1/0 FLEX, DIE 45
CLNB-2/0-38-34-4	3.168	0.344	0.406	0.811	1.831	0.211	UL, ILSCO, CSA, CLNB-2/0-38-34-4, 3/8 x 3/4, 2/0 AWG, 1/0 FLEX, DIE 45
CLNB-2/0-38-78-4	3.418	0.469	0.406	0.811	1.831	0.211	UL, ILSCO, CSA, CLNB-2/0-38-78-4, 3/8 x 7/8, 2/0 AWG, 1/0 FLEX, DIE 45
CLNB-2/0-38-1-4	3.418	0.594	0.406	0.811	1.831	0.211	UL, ILSCO, CSA, CLNB-2/0-38-1-4, 3/8 x 1, 2/0 AWG, 1/0 FLEX, DIE 45
CLNB-2/0-38-116-4	3.418	0.656	0.406	0.811	1.831	0.211	UL, ILSCO, CSA, CLNB-2/0-38-116-4, 3/8 x 1-1/6, 2/0 AWG, 1/0 FLEX, DIE 45
CLNB-2/0-38-118-4	3.606	0.719	0.406	0.811	1.831	0.211	UL, ILSCO, CSA, CLNB-2/0-38-118-4, 3/8 x 1-1/8, 2/0 AWG, 1/0 FLEX, DIE 45
CLNB-2/0-38-134-4	4.106	1.344	0.406	0.811	1.831	0.211	UL, ILSCO, CSA, CLNB-2/0-38-134-4, 3/8 x 1-3/4, 2/0 AWG, 1/0 FLEX, DIE 45
CLNB-2/0-38-2-4	4.481	1.594	0.406	0.811	1.831	0.211	UL, ILSCO, CSA, CLNB-2/0-38-2-4, 3/8 x 2, 2/0 AWG, 1/0 FLEX, DIE 45
CLNB-2/0-12-1-4	3.606	0.438	0.562	0.811	1.831	0.265	UL, ILSCO, CSA, CLNB-2/0-12-1-4, 1/2 x 1, 2/0 AWG, 1/0 FLEX, DIE 45
CLNB-2/0-12-114-4	3.981	0.688	0.562	0.811	1.831	0.265	UL, ILSCO, CSA, CLNB-2/0-12-114-4, 1/2 x 1-1/4, 2/0 AWG, 1/0 FLEX, DIE 45
CLNB-2/0-12-112-4	4.106	0.938	0.562	0.811	1.831	0.265	UL, ILSCO, CSA, CLNB-2/0-12-112-4, 1/2 x 1-1/2, 2/0 AWG, 1/0 FLEX, DIE 45
CLNB-2/0-12-134-4	4.481	1.188	0.562	0.811	1.831	0.265	UL, ILSCO, CSA, CLNB-2/0-12-134-4, 1/2 x 1-3/4, 2/0 AWG, 1/0 FLEX, DIE 45
CLNB-2/0-12-178-4	4.481	1.313	0.562	0.811	1.831	0.265	UL, ILSCO, CSA, CLNB-2/0-12-178-4, 1/2 x 1-7/8, 2/0 AWG, 1/0 FLEX, DIE 45